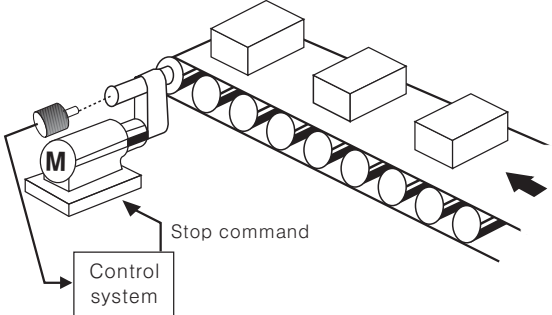
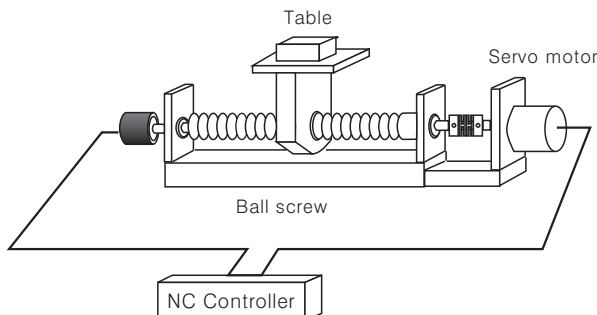
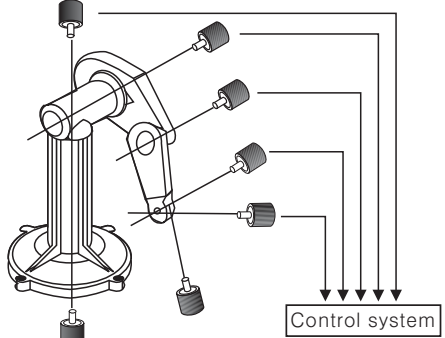
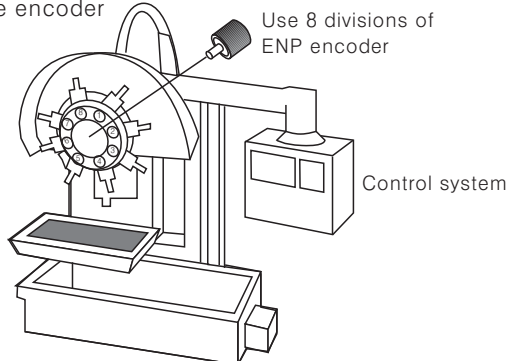
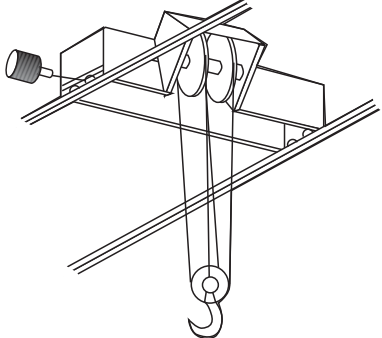
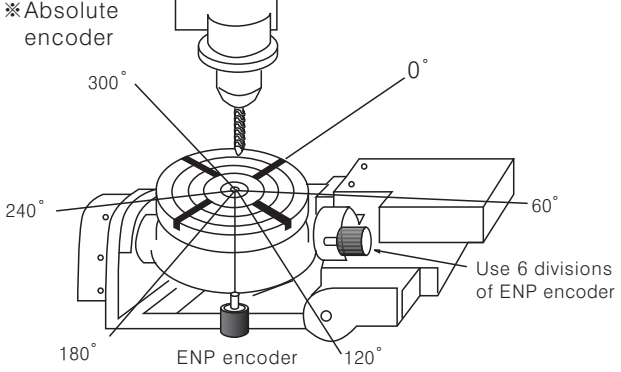
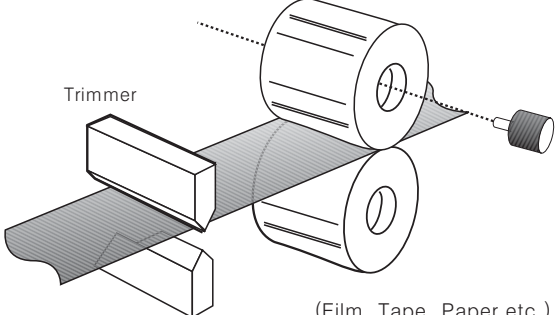
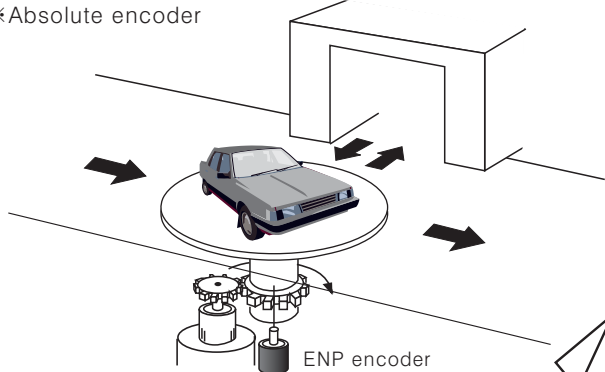


## ■ Applications

<p>Stopping the motor at right position</p> <p>※ Incremental encoder</p> 	<p>X, Y table positioning of NC tooling machine</p> <p>※ Incremental encoder</p> 
<p>Measuring of Robot arm angle and position</p> <p>※ Incremental encoder</p> 	<p>Controlling drill position of NC machine</p> <p>※ Absolute encoder</p> <p>Use 8 divisions of ENP encoder</p> 
<p>Controlling position of moving crane</p> <p>※ Incremental encoder</p> 	<p>Controlling table angle of NC machine</p> <p>※ Absolute encoder</p> <p>Use 6 divisions of ENP encoder</p> 
<p>Measuring the length of sheet</p> <p>※ Incremental encoder</p> <p>Trimmer</p>  <p>(Film, Tape, Paper etc.)</p>	<p>Controlling entrance and exit of car</p> <p>※ Absolute encoder</p> 

(A) Photo electric sensor

(B) Fiber optic sensor

(C) Door/Area sensor

(D) Proximity sensor

(E) Pressure sensor

(F) Rotary encoder

(G) Connector/Socket

(H) Temp. controller

(I) SSR/Power controller

(J) Counter

(K) Timer

(L) Panel meter

(M) Tacho/Speed/Pulse meter

(N) Display unit

(O) Sensor controller

(P) Switching power supply

(Q) Stepping motor & Driver & Controller

(R) Graphic/Logic panel

(S) Field network device

(T) Production stoppage models & replacement